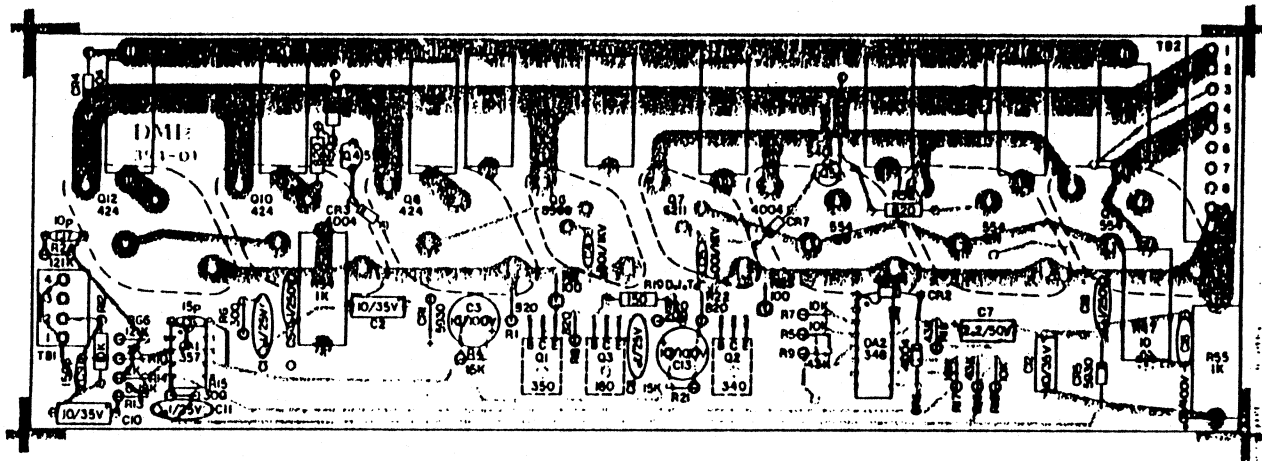
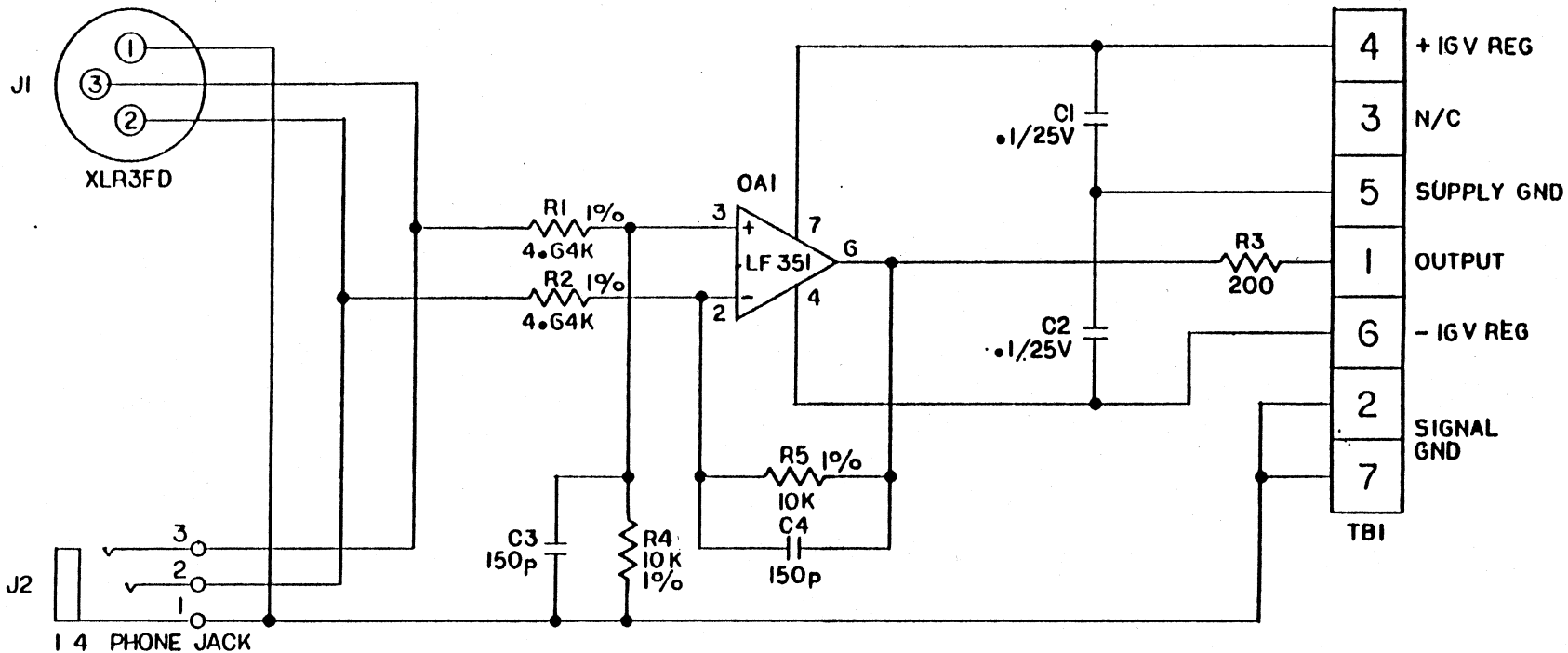


NOTES	LAST USED	REF	DES	REV	ECO	DESCRIPTION	DATE	BALLBO MUSIC INSTRUMENTS	
1) R19, D.J.T., DETERMINE IN TEST. IS BIAS RESISTOR. VOLTAGE ACROSS R15 & R16 IS BETWEEN 475-V MIN. & 510-V MAX. AS DETERMINED BY R19.	R06	027-42						***	***
2) PHS 5.6.7 ON OA2D NOT USED.	C10							***	***
	C18							***	***
	L1							***	***
	OA2							***	***
	Q12							***	***



NOTES:		REV	ECO	DESCRIPTION	DATE
1	COMPONENT SIDE UP				
2	MOUNT TO HEATSINK & SOLDER SIDE OF P.C.B. & Q1-3 & 6-13				
3	R10.D.I.T., DETERMINE IN TEST				
DALLAS MUSIC INDUSTRIES DALLAS, TEXAS 75243					
DATE: 1-21-84 BY: [Signature] CHECKED BY: [Signature]		CUSTOMER: MODEL 25000 & 25016 BRASS POWER AMPLIFIER			
TITLE: PCB LAYOUT		DRAWING P.C.B.			
SCALE: 1:1		ASSEMBLY DWG. DWG NO: 2504394 1/100			
SCALE 1:1 DO NOT SCALE DRAWING					

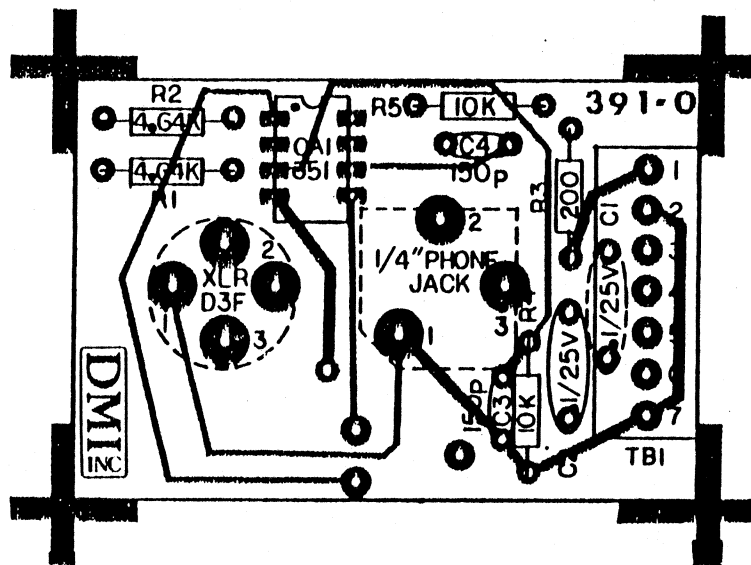


NOTES:

- 1) PINS 2 & 3 ARE BALANCED,
PINS 1 & 3 ARE UNBALANCED
ON BOTH 3-PIN CONNECTORS

LAST REF DES		REV	ECO	DESCRIPTION	DATE
USED	NOT USED				
C4					
R5					
OA1					
TBI					

DALLAS MUSIC INDUSTRIES HAWTHORNE, N.J. 07506			
DWN.: JJD	DATE: 1/18/82	CREST:	
APP: <i>[Signature]</i>	DATE: 1-20-82	MODEL "8" SERIES POWER AMPLIFIERS	
TOL: ±.02	±.1°	INPUT P.C.B.	
RES: ±.01	FRACT: 1/84	SCHEMATIC	
MATL:			
FINISH:		DWG. No.: 2102391	REV: 00
SCALE: --		DO NOT SCALE DRAWING	

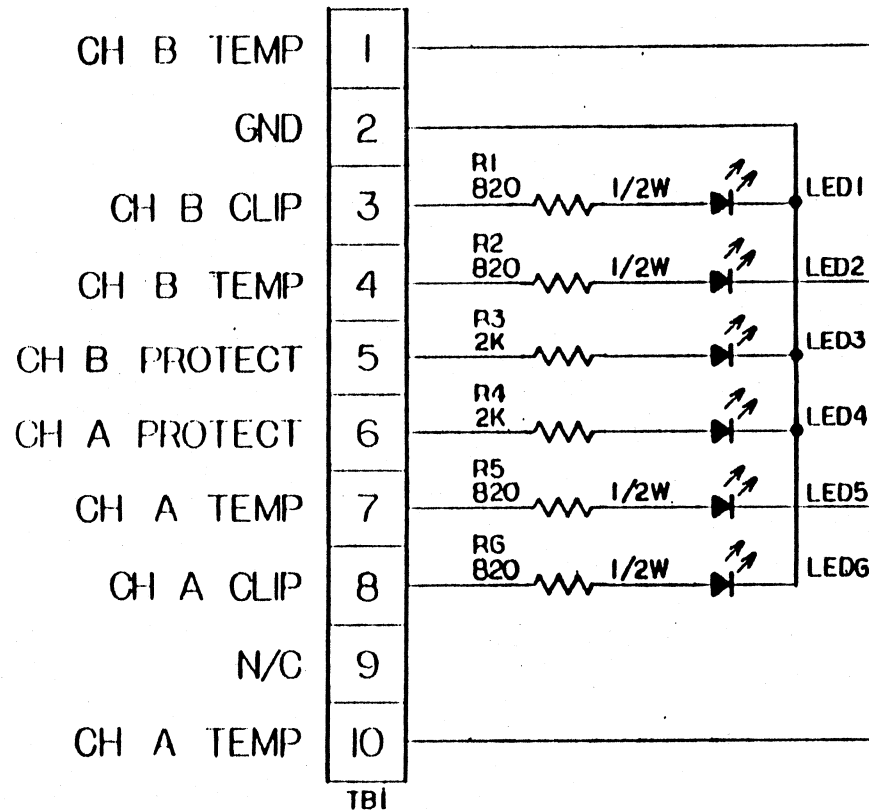


NOTES:

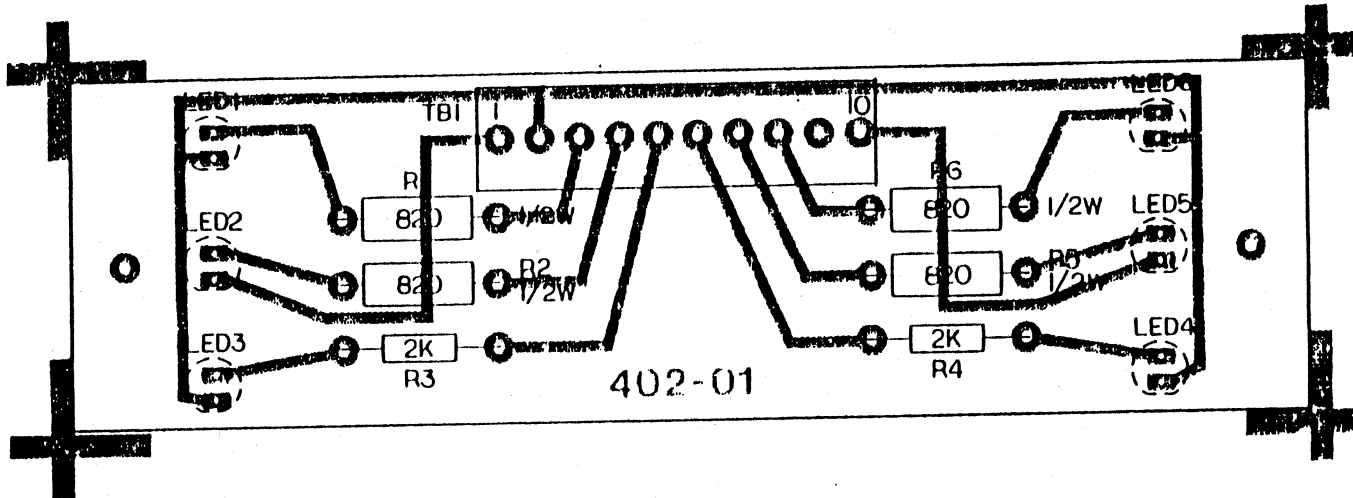
- 1) COMPONENT SIDE UP
- 2) XLR & PHONE CONNECTORS MOUNT TO CHASSIS & SOLDER SIDE OF P.C.B.
- 3) MOUNT CI ON SOLDER SIDE

REV	ECO	DESCRIPTION	DATE

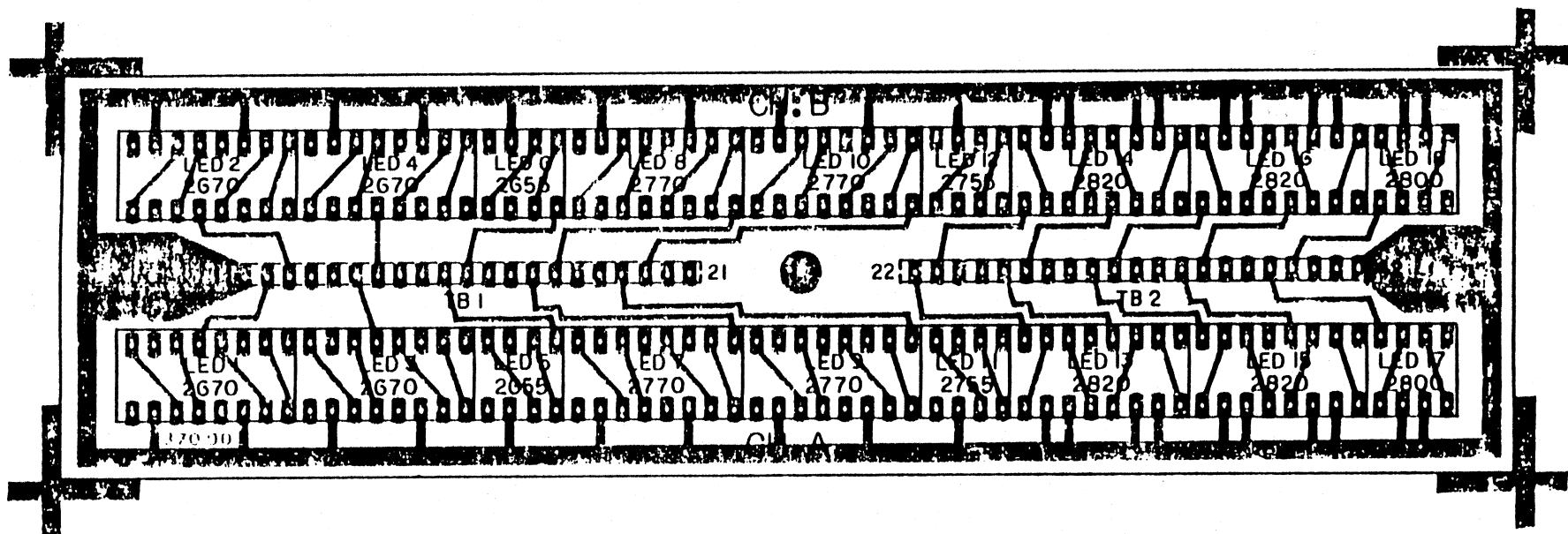
DALLAS MUSIC INDUSTRIES HAWTHORNE, N.J. 07508			
DWN.: JJD	DATE: 1/15/82	CRST:	
APP: <i>[Signature]</i>	DATE: 1-20-82	MODEL "S" SERIES POWER AMPLIFIERS	
TOL: RS: ±.02 L: ±1° RHS: ±.01 FRACT: 1/64		INPUT P.C.B.	
MATL:		ASSEMBLY DWG.	
FINISH:		DWG. No.: 2202391	REV.: 00
		SCALE: 2:1	DO NOT SCALE DRAWING



USED	NOT USED	NOTES:	REV	ECO	DESCRIPTION	DATE	DALLAS MUSIC INDUSTRIES HAWTHORNE, N.J. 07506	
		1) LEDs ARE RED 2) UNSPECIFIED RESISTORS-1/4W					DWN.: JJD	DATE: 8/11/82
							APP: [Signature]	DATE: 8/11/82
							TOL: R: ±.02 Z: ±1° RES: ±.01 FRAC: ±1/64	CREST: MODEL "S" SERIES POWER AMPLIFIERS
							MATL.:	LIGHT PROTECT P.C.B.
							FINISH:	SCHEMATIC
								DWG. No.: 2102402
								SCALE: -- NO NOT SCALE DRAW



LAST REF DES		NOTES:	REV	ECO	DESCRIPTION	DATE	DALLAS MUSIC INDUSTRIES HAWTHORNE, N.J. 07508		
USED	NOT USED		1) LEDS MOUNT ON SOLDER SIDE 2) LEDS ARE RED 3) RESISTORS-1/4W					DWN.: JJD	DATE: 8/11/82
RG								APP: [Signature]	DATE: 3/11/82
LEDG								TOL: XX: ±.02 <: ±1° AAA: ±.01 FRACT: ±1/64	CREST: MODEL "S" SERIES POWER AMPLIFIERS LIGHT PROTECT P.C.B.
TBI								MATL.:	ASSEMBLY DWG.
							FINISH:	DWG. Nr.: 2202402 REV 100	
							SCALE: 2:1	DO NOT SCALE DRAWING	



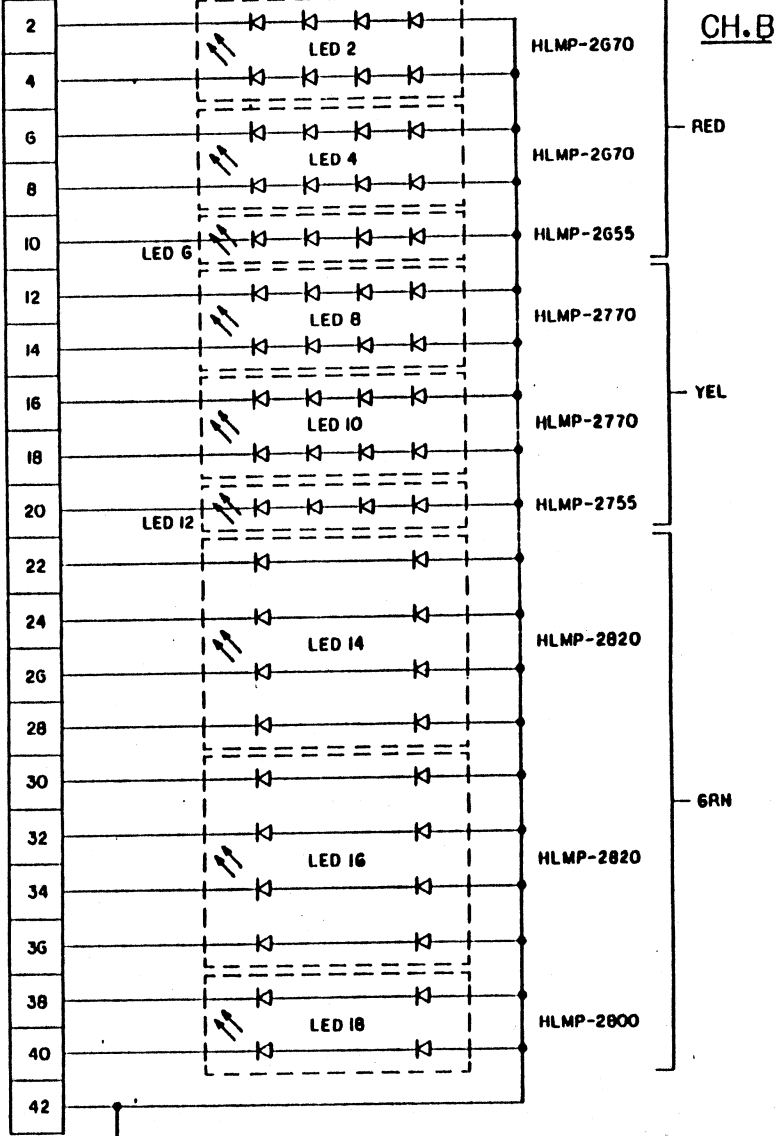
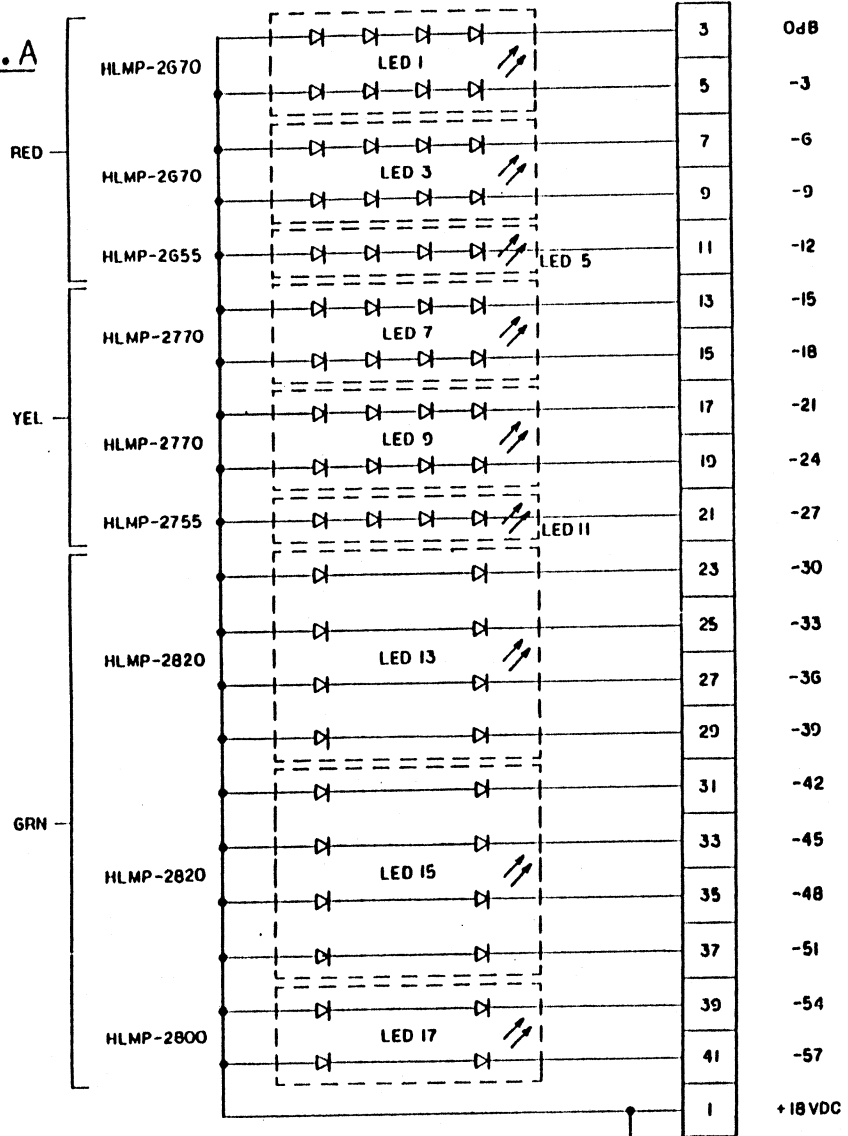
NOTES:

- 1) COMPONENT SIDE UP
- 2) RED- LED 1-6
YEL- LED 7-12
GRN- LED 13-18
- 3) TB1 & 2 MOUNT ON SOLDER SIDE

REV	ECO	DESCRIPTION	DATE

DALLAS MUSIC INDUSTRIES HAWTHORNE, N.J. 07508			
DWN.: JJD	DATE: 2/8/82	CREST:	
APP: <i>[Signature]</i>	DATE: 6-12-82	POWER AMPLIFIERS w/ METERS	
TOL: DR: ±.02 Z: ±1° HRS: ±.01 FRAC: 1/64	METER ARRAY P.C.B.		ASSEMBLY DWG,
MATL.:	DWG. Nr.: 2202370		REV: 00
FINISH:	SCALE: 2:1 DO NOT SCALE DRAWING		

CH. A

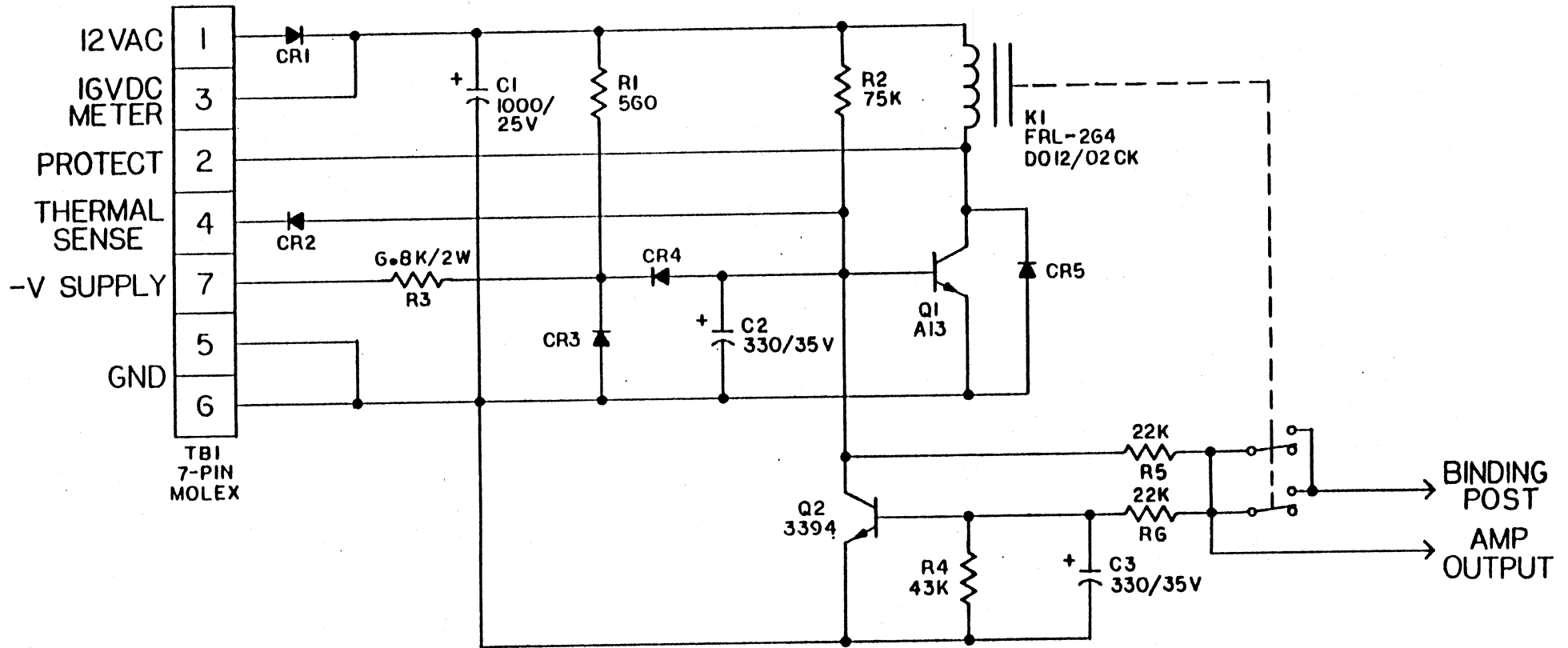


CH. B

NOTES:
1) TB1 TERMINALS 1-21 & TB2 TERMINALS 22-42.

REV	ECO	DESCRIPTION	DATE

DALLAS MUSIC INDUSTRIES HAWTHORNE, N.J. 07508			
OWN: JJD	DATE: 8/8/82	CREST:	
APP: [Signature]	DATE: 8-2-82	MODELS 25008, 35008, 4000, 5000 POWER AMPLIFIER	
TOL: 1.00	FRAC: 1/16"	METER ARRAY P.C.B.	
FINISH:	SCALE: --	DO NOT SCALE DRAWING	
MATERIAL:		SCHEMATIC	
OWN No: 2103370		REV: 00	



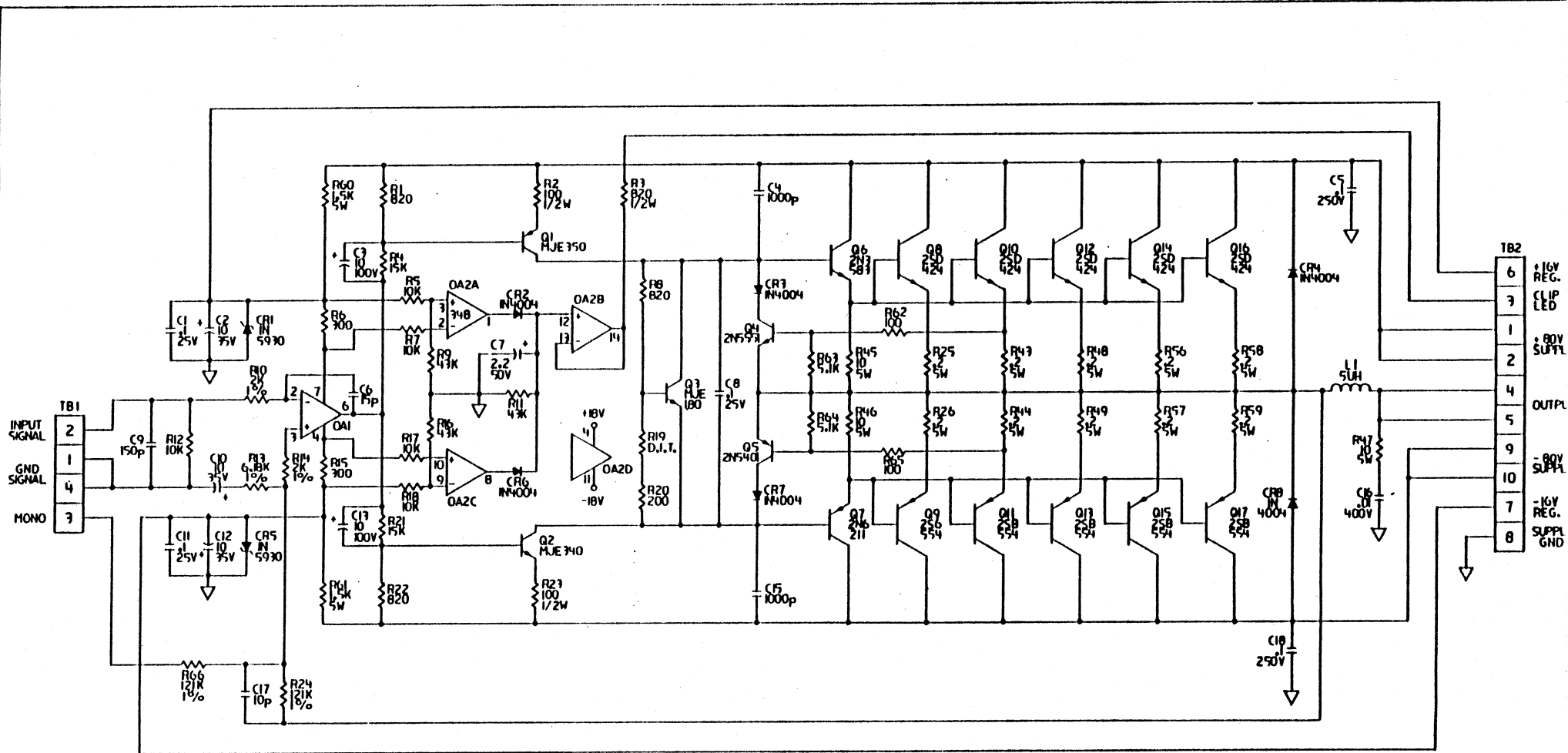
NOTES:

1) ALL DIODES: IN4004

LAST REF	DES	REV	ECO	DESCRIPTION	DATE
	C3				
	R6				
	K1				
	Q2				
	CR5				
	TBI				

DALLAS MUSIC INDUSTRIES
HAWTHORNE, N.J. 07508

DWN: JJD	DATE: 2-2-82	CREST:
APP: <i>[Signature]</i>	DATE: <i>[Signature]</i>	MODEL "S" SERIES POWER AMPLIFIERS
TOL: 1.00	± 1°	RELAY P.C.B.
ERR: 2.01	FRAC: 1/64	SCHEMATIC
MATL:		DWG. No.: 2102400
FINISH:		REV: 00
SCALE: --	DO NOT SCALE DRAWING	



NOTES:		LAST USED	REF DES	REV	ECO	DESCRIPTION	DATE	DALLAS MUSIC INDUSTRIES MUSHTON, TEXAS	
1) R19, D.J.T. DETERMINE IN TEST. IS BIAS RESISTOR. VOLTAGE ACROSS R45 & R46 IS BETWEEN 475mV MIN. & 510mV MAX. AS DETERMINED BY R19.		USED	NOT USED					REV	DATE
2) PINS 5,6,7 ON OA2D NOT USED.		R66	R27-42					COMP	
		C18	C14					MODEL 33000 & 31010	
		CR8						POWER AMPLIFIER	
		L1						BRASSLINE MODEL	
		OA2						SCHEMATIC	
		Q17						DATE	3/10/70
								DESIGNED BY	